



Digital Indicators With Analog Display

406 Series



406-05-0

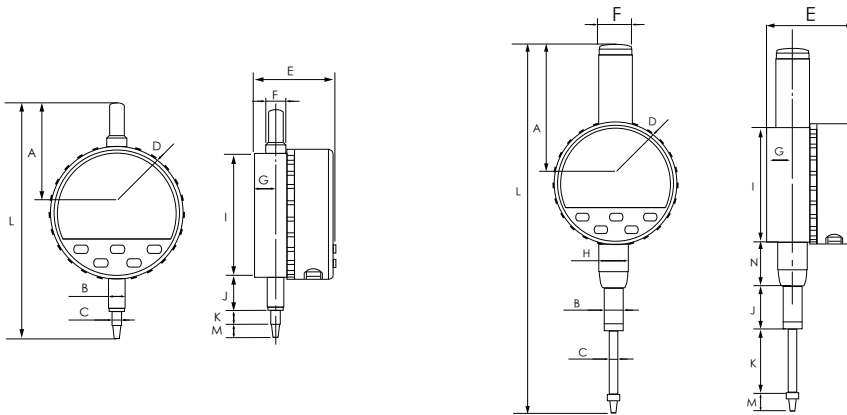
Inch			
Code No.	Range	Resolution	Accuracy
406-25-1	0-.25"	.00005"	±.0003"
406-05-1	0-.5"	.00005"	±.0003"
406-01-1	0-1"	.00005"	±.0006"

Metric			
Code No.	Range	Resolution	Accuracy
406-25-0	0-6.35mm	0.002mm	0.006mm
406-05-0	0-12.7mm	0.002mm	0.008mm
406-01-0	0-25.4mm	0.002mm	0.015mm



FEATURES

- Resolution: .00005" / 0.002mm, 0.001mm
- Absolute measurement
- 330 deg. screen rotation
- Inch/Metric conversion
- Auto power On/Off
- Flat back(attached) and lug back supplied
- Ø8mm stem diameter for metric models
Ø3/8" stem diameter for inch models



Inch	Metric	Dimensions													
Range	Range	A	B	C	D	E	F	G	H	I	J	K	L	M	N
0-.25"	0-6.35mm	45.8mm	8mm	4.5mm	63mm	10mm	39mm	10mm	-	59mm	22mm	8mm	115mm	10mm	-
0-.5"	0-12.7mm	55mm	8mm	4.5mm	63mm	10mm	39mm	10mm	-	59mm	22mm	14.5mm	131mm	10mm	-
0-1"	0-25.4mm	71mm	8mm	4.5mm	63mm	16mm	45mm	10mm	14mm	59mm	22mm	32mm	190mm	10mm	25mm