



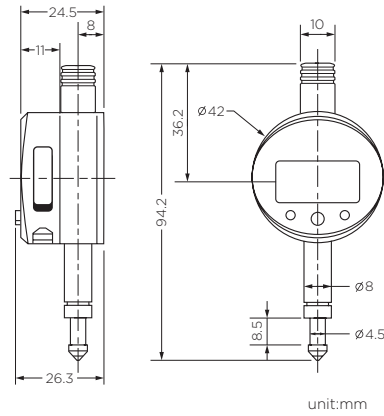
Small Range Digital Indicators

405 Series

NEW



405-05-1



FEATURES

- Small size, suitable for limited space
- Absolute/incremental measurement
- Preset real position value
- Metric-inch conversion at any position
- With data output interface
- Auto/manual shutdown
- The main body is made of aerometal

Inch			
Code No.	Range	Resolution	Accuracy
405-05-1	0-.2"	.0005"	±.0008"
405-05-3	0-.2"	.00005"	±.0002"

Metric			
Code No.	Range	Resolution	Accuracy
405-05-0	0-5mm	0.01mm	0.02mm
405-05-2	0-5mm	0.001mm	0.004mm