

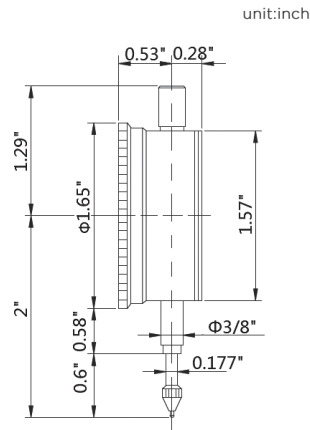


AGD1 Dial Indicators

401 Series



401-06-1



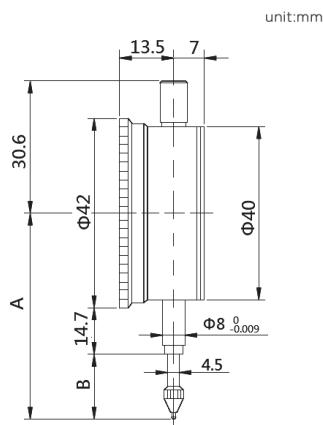
FEATURES

- Graduation:
Inch: .0005" / .001"
Metric: 0.01mm
- Dial face dia.: $\Phi 1.61"$ / $\Phi 42$ mm
- Jeweled
- Flat back (attached) and lug back supplied
- Inch models without revolution counter

Code No.	Range	Graduation	Range/Rev.	Dial Reading	Accuracy
401-06-1	0-.25"	.001"	.1"	0-100	$\pm 0.01"$
401-06-3	0-.25"	.001"	.1"	0-50-0	$\pm 0.01"$
401-06-5	0-.25"	.0005"	.05"	0-25-0	$\pm 0.0005"$
401-03-1	0-3mm	0.01mm	0.5mm	0-50	± 0.01 mm
401-05-1	0-5mm	0.01mm	0.5mm	0-50	± 0.012 mm
401-05-3	0-5mm	0.01mm	0.5mm	0-25-0	± 0.012 mm



401-03-0



FEATURES

- Graduation: 0.01mm
- Dial face dia.: $\Phi 1.61"$ / $\Phi 42$ mm
- Jeweled
- Flat back (attached) and lug back supplied
- Inch models without revolution counter

Code No.	Range	Graduation	Range/Rev.	Dial Reading	Accuracy	Dimensions	
						A	B
401-03-0	0-3mm	0.01mm	0.5mm	0-50	0.010mm	46.4mm	10.7mm
401-05-0	0-5mm	0.01mm	0.5mm	0-50	0.012mm	48.4mm	12.7mm
401-05-2	0-5mm	0.01mm	0.5mm	0-25-0	0.012mm	48.4mm	12.7mm