

# Calipers

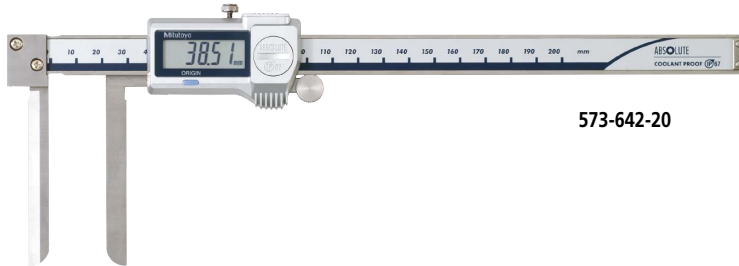
ABSOLUTE™



## ABSOLUTE Inside Caliper SERIES 573 — Knife-edge/Inside Groove/Point Jaw Type

- Dedicated caliper for inside measurement.
- Digimatic models are IP67 Absolute type. Slider action is smooth, firm and comfortable.

Knife-edge type



573-642-20

Inside groove type



573-645-20

Point jaw type



573-646-20

### Measurement example



### Optional Accessories

Order No.	Type	Description
05CZA624	A	Connecting cables for IT/DP/MUX (1 m)
05CZA625	A	Connecting cables for IT/DP/MUX (2 m)
06AFM380A	A	USB Input Tool Direct (2 m)
02AZD790A	A	Connecting cables for U-WAVE-T (160 mm)
02AZE140A	A	Connecting cables for U-WAVE-T For foot switch
264-620	IP67	U-WAVE-TC
264-621	Buzzer	U-WAVE-TC
264-624	IP67	U-WAVE-TCB Transmitter
264-625	Buzzer	U-WAVE-TCB Transmitter
02AZF310	IP67	Connecting unit for U-WAVE-TC/TCB

Note: U-WAVE-TC/TCB cannot be used with Knife-edge Type (573-642-20, 573-643-20 and 573-742-20).

## SPECIFICATIONS

Metric		Digimatic model			
Order No.	Range (mm)	Resolution (mm)	Maximum permissible error (mm)*3		Remarks
			EMPE	SMPE	
573-642-20	10 - 200	0.01	/	±0.05	Knife-edge type, Measurable min.
573-643-20*1	10 - 200			±0.05	Knife-edge type, Measurable min.
573-645-20*2	10.1 - 160			±0.05	Inside groove type, Measurable min.
573-647-20*1	10.1 - 160			±0.05	Inside groove type, Measurable min.
573-646-20*2	20.1 - 170			±0.03	Point jaw type, Measurable min.
573-648-20*1	20.1 - 170			±0.03	Point jaw type, Measurable min.

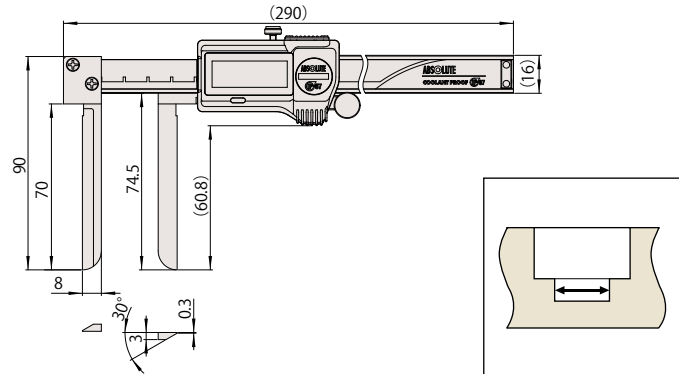
Inch/Metric		Digimatic model			
Order No.	Range	Resolution	Maximum permissible error*3		Remarks
			EMPE	SMPE	
573-742-20	0.4 - 8 in/ 10 - 200 mm	0.0005 in/ 0.01 mm	/	±0.002 in/ ±0.05 mm	Knife-edge type, Measurable min.
573-745-20*2	0.404 - 6.4 in/ 10.26 - 160.16 mm			±0.002 in/ ±0.05 mm	Inside groove type, Measurable min.
573-746-20*2	0.804 - 6.8 in/ 20.42 - 170.32 mm			±0.0015 in/ ±0.03 mm	Point jaw type, Measurable min.

- Dust/Water protection level: IP67 (IEC 60529)\*4
- Battery: SR44 (1 pc.), **938882**, for initial operational checks (standard accessory)
- Battery life: Approx. 5 years under normal use
- Scale type: ABSOLUTE electromagnetic induction linear encoder
- Max. response speed: Unlimited
- \*1 Without thumb roller
- \*2 Includes the offsetting function, which indicates the actual measurement value.
- \*3 Partial Surface Contact Error, EMPE and Shift Error, SMPE are terms (notations) used in ISO 13385-1:2019.
- \*4 Rustproofing shall be applied after use if caliper was in contact with coolant.

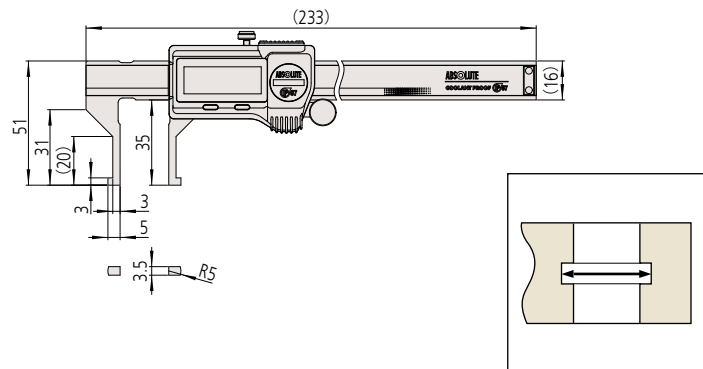
## DIMENSIONS

Unit: mm

### Knife-edge type: 573-642-20, 573-643-20, 573-742-20



### Inside groove type: 573-645-20, 573-647-20, 573-745-20



### Point jaw type: 573-646-20, 573-648-20, 573-746-20

